

32
CHANNEL

OLED display

8 bit / 16 bit

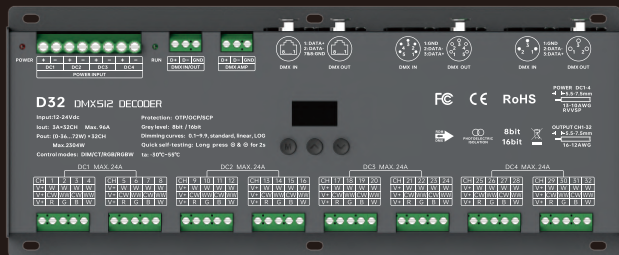
4 kinds of DMX interfaces

Dimming Curve: 0.1-9.9

Short circuit / Over current / Overheat protection

D32

DMX512 DECODER



Product introduction

1. Designed for Hi-power multiple channels application, 32 channels output, and Max. 3A current per channel, up to 2304W output power.
2. Easy operation with OLED screen and touch buttons.
3. 4 kinds of control modes available: DIM, CT, RGB, RGBW.
4. 3-pin XLR, 5-pin XLR, RJ45 and green terminal DMX interface with photoelectric isolation, improve signal transmission efficiency and anti-interference ability, the green terminal also has signal amplifier function.
5. With RDM remote management protocol, the operations can be completed via the RDM master console, such as parameters browsing & settings, DMX address settings, equipment recognition, etc.
6. With firmware upgrade function.
7. With short circuit, over current and overheat protection, as well as warning function when a fault occurs.
8. With power-on state management and fast self-testing function.
9. 16bit (65536 levels) / 8bit (256 levels) grey level available.
10. Available in standard, linear, LOG or custom 0.1-9.9 dimming curve.



3-pin XLR



5-pin XLR



RJ45



RDM



Photoelectric isolation



Short circuit protection



Overheat protection



Over current protection



Display

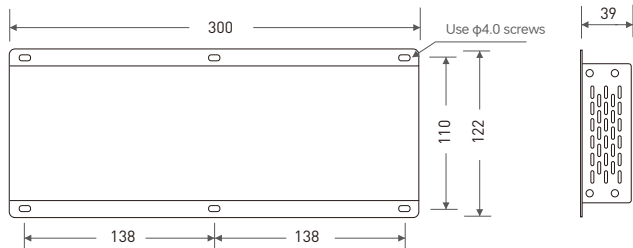
Technical specs

Model :	D32
Input signal :	DMX512/RDM
Input voltage :	12-24Vdc
Current load :	3A × 32CH Max. 96A
Output power :	(0-36W...72W) × 32CH Max. 2304W
DMX interfaces :	3-pin XLR, 5-pin XLR, RJ45, Green terminal
Control modes :	DIM/CT/RGB/RGBW
Dimming curves :	0.1-9.9, standard, linear, LOG
Grey level :	8bit (256 levels) / 16bit (65536 levels)
Photoelectric isolation :	Yes
Protection:	Short circuit / Overheat / Over current protection, recover automatically.
Working temperature :	-30°C-55°C
Dimensions :	300×122×39mm(L×W×H)
Package size :	313×127×41mm(L×W×H)
Weight (G.W.) :	1180g

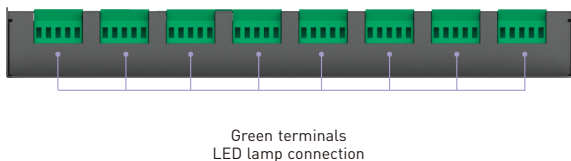
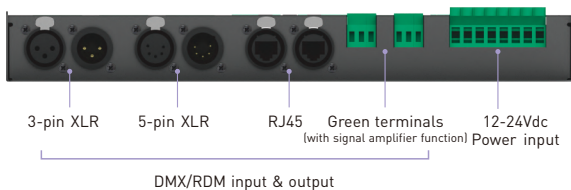
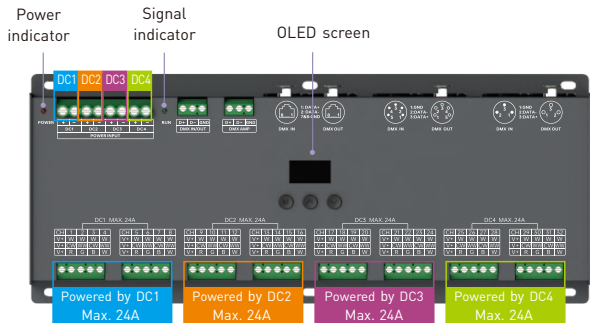


Product size

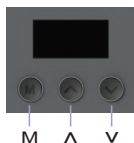
Unit: mm



Main component description



OLED screen interface



Press "M" key, switch entries.
Long press "M" key, back to main page.
Press "^" or "v" key, parameter adjustment.

Exit: back to previous page.

1. DMX address settings

DMX: 001 Hz: High
Mode: RGBW 8bit
Curve: Standard
Dim: Smo TOOL&v

Main page

Press "^" or "v" key to set DMX address.
Range: 001-512

2. PWM frequency

DMX: 001 Hz: High
Mode: RGBW 8bit
Curve: Standard
Dim: Smo TOOL&v

Press "^" or "v" key to choose. **No flicker in video camera.**

Option :



Std (standard)
High
Mid (middle)
Low



Smooth and exquisite, human eye is comfortable. * It is recommended to use standard.

3. Modes

DMX: 001 Hz: High
Mode: RGBW 8bit
Curve: Standard
Dim: Smo TOOL&v

Press "^" or "v" key to choose.
Option : DIM / CT / CT2 / RGB / RGBW

4. Grey scale

DMX: 001 Hz: High
Mode: RGBW 8bit
Curve: Standard
Dim: Smo TOOL&v

Press "^" or "v" key to choose.
Option : 8bit
16bit (choose it if the master controller supports this function)

5. Dimming curves

DMX: 001 Hz: High
Mode: RGBW 8bit
Curve: Standard
Dim: Smo TOOL&v

Press "^" or "v" key to choose.
Option : Standard
Linear
LOG
0.1-9.9
It is recommended to use standard,
0.1-9.9 is for special requirements.

6. Enhance Dimming

DMX: 001 Hz: High
 Mode: RGBW 8bit
 Curve: Standard
 Dim: **Smo** TOOL&v

Press "∧" or "∨" key to choose.

Option : **Std** (standard)
 Smo (smooth)

* It is recommended to use standard.

Smo: This option with smooth processing, realizes flicker-free dimming and smooth dynamic effects.

7. Tool

DMX: 001 Hz: High
 Mode: RGBW 8bit
 Curve: Standard
 Dim: Smo **TOOL&v**

Press "∧" or "∨"
 key to enter submenu

Screen: ON+Addr
 Contrast: 40%
 Beep: ON TEST&v
 EXIT&v

Press "∧" or "∨"
 key to enter
 submenu of test.

001

Screen: ON+Addr

Screensaver open and display address if undo for 2 minutes.

Screen: ON+black

Screensaver open and black if undo for 2 minutes.

DMX: 001 Hz: High
 Mode: RGBW 8bit
 Curve: Standard
 Dim: Smo TOOL&v

Screen: OFF

Screensaver not enable.

CH01: 255
 CH02: 255
 CH03: 255 [∧&∨]
 CH04: 255 EXIT &∨

Brightness settings
 (range: 0-255)
 Press "∧" or "∨"
 to next page
 Press "∨" to exit

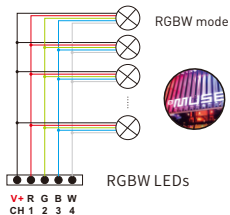
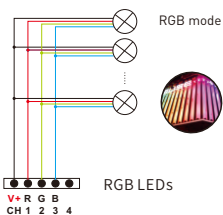
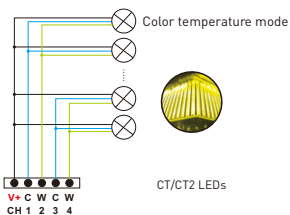
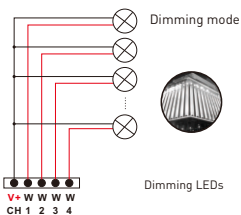
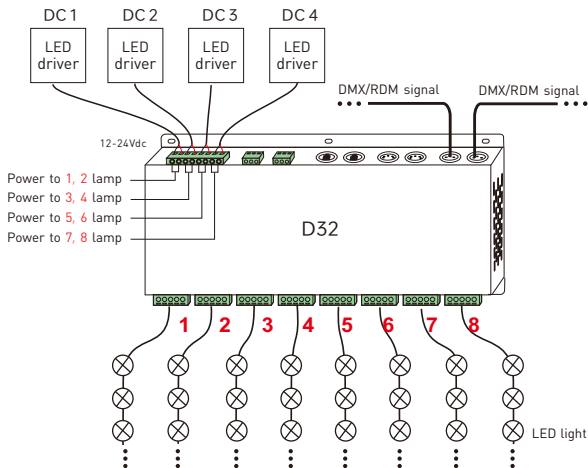
ALL: 255
 [∧&∨]
 EXIT &∨

Change all value
 simultaneously
 (on the last page)

Fast self-testing function: press "∧" or "∨" keys simultaneously for 2-3 seconds under any page, decoder will enter self-testing function.

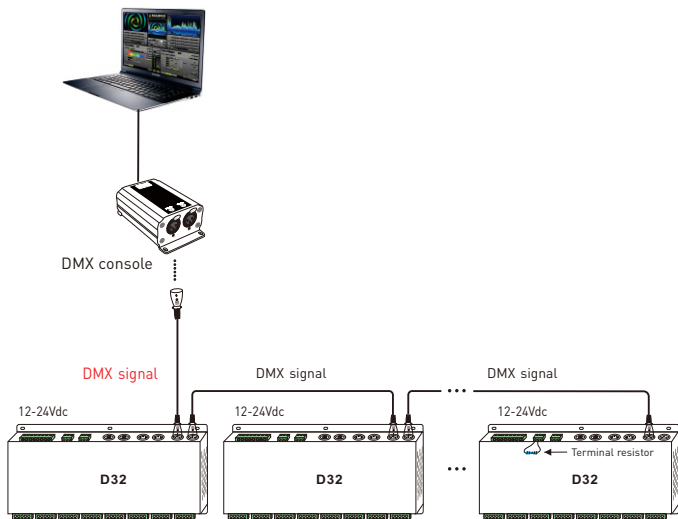
Wiring diagram

1. Connecting LED lights:



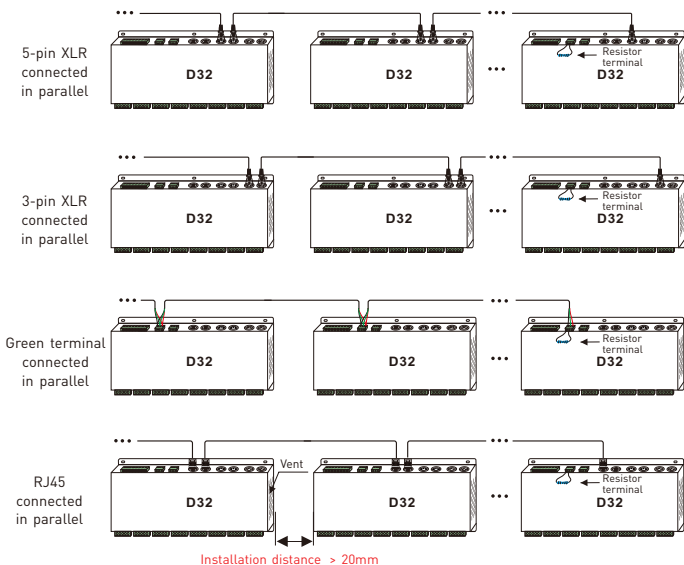
2. DMX console connection:

D32 is equipped with 4 kinds of DMX terminals for users' selection. The following diagram takes 3-pin XLR as an example, same connecting method for the rest three: RJ45 & 5-pin XLR & green terminal (with amplifier function).



If the recoil effect occurs because of longer signal line or bad line quality, please try to connect 0.25W 90-120 Ω terminal resistor at the end of each line.

3. The connection diagram of 4 kinds of DMX/RDM terminals:

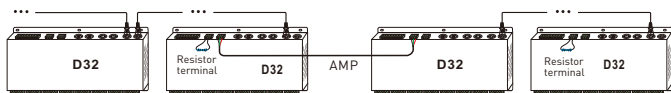


These 4 terminals can be connected in a mixed way.

Installation attentions : please reserve enough ventilation distance between decoders (>20mm), be sure not to block the vent, or it will affect lifetime of decoder for poor heat dissipation.

4. The connection diagram of AMP signal amplifier terminal:

Connecting with green terminal or an extra amplifier will be needed when more than 32 decoders are connected or use overlong signal wire (as shown below). Signal amplifier should not be more than 5 times continuously.



Address setting table

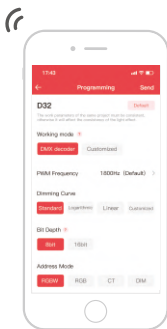
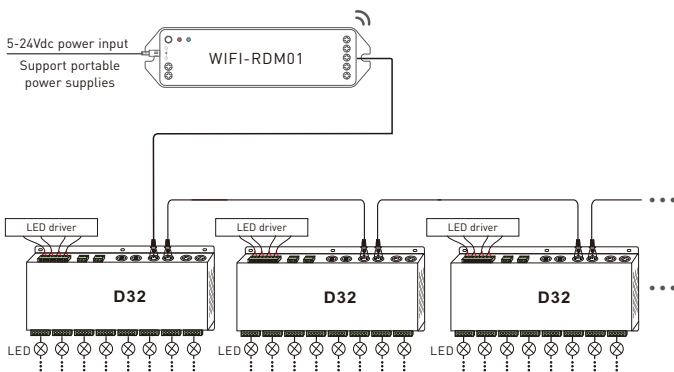
Mode	DIM	CT/CT2	RGB	RGBW	
Address Quantity	8	16	24	32	
Resolution	8bit	8bit	8bit	8bit	
Channel	1	001	001	001	001
	2	001	002	002	002
	3	001	001	003	003
	4	001	002	003	004
	5	002	003	004	005
	6	002	004	005	006
	7	002	003	006	007
	8	002	004	006	008
	9	003	005	007	009
	10	003	006	008	010
	11	003	005	009	011
	12	003	006	009	012
	13	004	007	010	013
	14	004	008	011	014
	15	004	007	012	015
	16	004	008	012	016
	17	005	009	013	017
	18	005	010	014	018
	19	005	009	015	019
	20	005	010	015	020
	21	006	011	016	021
	22	006	012	017	022
	23	006	011	018	023
	24	006	012	018	024
	25	007	013	019	025
	26	007	014	020	026
	27	007	013	021	027
	28	007	014	021	028
	29	008	015	022	029
	30	008	016	023	030
	31	008	015	024	031
	32	008	016	024	032

Mode	DIM	CT/CT2	RGB	RGBW	
Address Quantity	16	32	48	64	
Resolution	16bit	16bit	16bit	16bit	
Channel	1	001 002	001 002	001 002	001 002
	2	001 002	003 004	003 004	003 004
	3	001 002	001 002	005 006	005 006
	4	001 002	003 004	005 006	007 008
	5	003 004	005 006	007 008	009 010
	6	003 004	007 008	009 010	011 012
	7	003 004	005 006	011 012	013 014
	8	003 004	007 008	011 012	015 016
	9	005 006	009 010	013 014	017 018
	10	005 006	011 012	015 016	019 020
	11	005 006	009 010	017 018	021 022
	12	005 006	011 012	017 018	023 024
	13	007 008	013 014	019 020	025 026
	14	007 008	015 016	021 022	027 028
	15	007 008	013 014	023 024	029 030
	16	007 008	015 016	023 024	031 032
	17	009 010	017 018	025 026	033 034
	18	009 010	019 020	027 028	035 036
	19	009 010	017 018	029 030	037 038
	20	009 010	019 020	029 030	039 040
	21	011 012	021 022	031 032	041 042
	22	011 012	023 024	033 034	043 044
	23	011 012	021 022	035 036	045 046
	24	011 012	023 024	035 036	047 048
	25	013 014	025 026	037 038	049 050
	26	013 014	027 028	039 040	051 052
	27	013 014	025 026	041 042	053 054
	28	013 014	027 028	041 042	055 056
	29	015 016	029 030	043 044	057 058
	30	015 016	031 032	045 046	059 060
	31	015 016	029 030	047 048	061 062
	32	015 016	031 032	047 048	063 064

When you select CT2, the DMX address represents brightness , color temperature and constant power output respectively.

Work with RDM editor

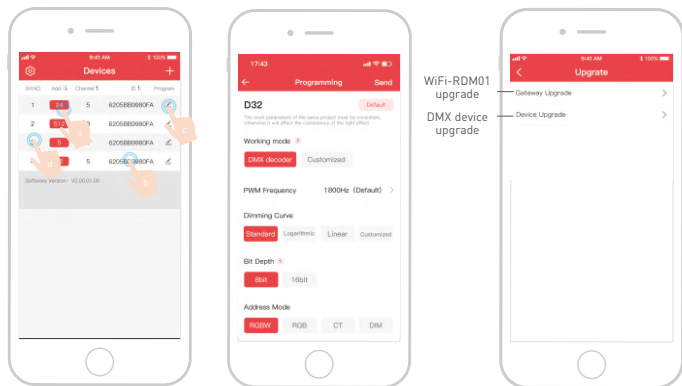
D32 can work with LTECH RDM editor (Model: WiFi-RDM01) to realize changing the parameters and firmware upgrade by long-range setting, wiring diagram as below:



RDM editor App interface instructions

Download the App, setting the D32 parameters (frequency, bit, curve, modes, dimming range, screensaver, etc.) after well connecting the RDM editor, more details, please check the manual of WiFi-RDM01.

Well installation of products first, then working with WiFi -RDM01 to realize setting parameters and firmware upgrade by App.



- a: Click "Add", edit the address in corresponding box.
- b: Click "ID", get more product details.
- c: Click " ", enter edited interface.
- d: Click "No.", issue the recognizing command.

Supporting WiFi-RDM01 upgrade and DMX driver upgrade.

Attention

- Product installation and commissioning should be done by a qualified professional.
- Our company products are and not lightningproof non-waterproof(special models excepted). Please avoid the sun and rain. When installed outdoors, please ensure they are mounted in a waterproof enclosure or in an area equipped with lightning protection devices.
- Good heat dissipation will prolong the working life of products. Please ensure good ventilation.
- Please check if the working voltage used complies with the parameter requirements of products.
- The diameter of wire used must be able to load the light fixtures you connect and ensure the firm wiring.
- Before you power on products, please make sure all the wiring is correct in case of incorrect connection that causes damage to light fixtures.
- If a fault occurs, please do not attempt to fix products by yourself. If you have any question, please contact your suppliers.

Warranty Agreement

- Warranty periods from the date of delivery: 5 years.
- Free repair or replacement services for quality problems are provided within warranty periods.

Warranty exclusions below:

Following conditions are not within the guarantee range of free repairing or replacement services:

- Beyond warranty periods.
 - Any artificial damage caused by high voltage, overload, or improper operations.
 - Products with severe physical damage.
 - Damage caused by natural disasters and force majeure.
 - Warranty labels and barcodes have been damaged.
 - No any contract signed by our company.
1. Repair or replacement provided is the only remedy for customers. Our company is not liable for any incidental or consequential damage unless it is within the law.
 2. Our company has the right to amend or adjust the terms of this warranty, and release in written form shall prevail.
- * This manual is subject to changes without further notice. Product functions depend on the goods. Please feel free to contact our official distributors if you have any question.